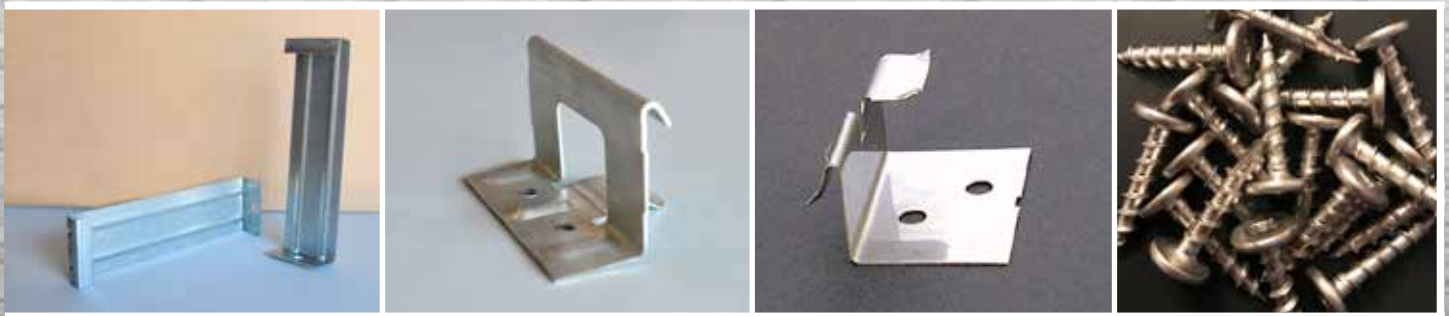


SCHULMEISTER **M**ETAL **P**RODUCTS

**METAL ROOFING FASTENERS
STAMPING & MACHINING**



**Roofing Clips and Fasteners
Clip Sales**

770-363-6465

Website: www.smpclips.com

Email: smpclips@yahoo.com

SCHULMEISTER METAL PRODUCTS INC.

Your Personal Roofing Supplier

Table Of Contents

<u>Snap Lock Clips</u>	Pages 1 - 4
<u>Batten Lock Clips</u>	Page 5
<u>Mechanical Lock Clips</u>	Pages 6 - 9
<u>Expansion Clips</u>	Page 10
<u>Bearing Plates</u>	Page 11
<u>Gutter Hangers</u>	Page 13
<u>Gutter Outlets</u>	Page 14
<u>Fasteners & Rivets</u>	Pages 15 - 17
<u>Seamers</u>	Page 18
<u>Sealants</u>	Page 21
<u>Shingle Clips</u>	Page 22
<u>Policies</u>	Page 23

SCHULMEISTER
METAL
PRODUCTS

233 Barr Ave.
Bowdon, GA 30108
Phone: 770-363-6465
Fax: 770-920-6539
smpclips@yahoo.com

MIKE SCHULMEISTER
President-Owner

Any Questions?
Call Mike
Your Roofing
Clip Specialist

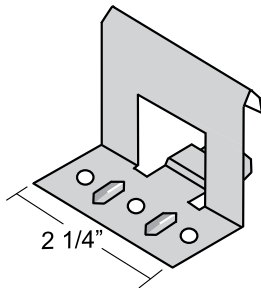
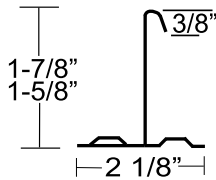
smpclips@yahoo.com

SCHULMEISTER METAL PRODUCTS INC.

Your Personal Roofing Supplier

SNAP LOCK

SMP 1-3/4 SL
SMP 1-5/8 SL



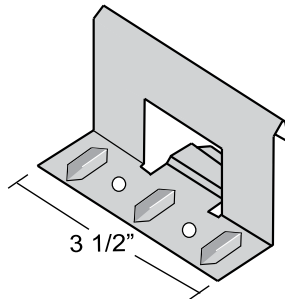
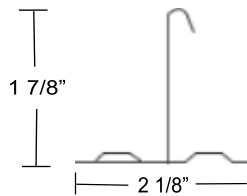
18 ga Steel
18 ga Stainless Steel

**Our Clip Fits the
Following Panels**

1-7/8" Fits Rollformer, Newtech,
Knudson & Englert
Ultra Seam 175
Zimmerman

400 per box

SMP 1-3/4 Ultra Length SL
SMP 1-5/8 Ultra Length SL



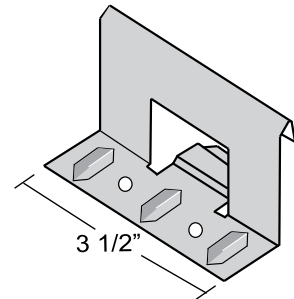
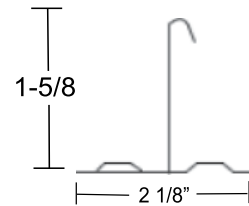
18 ga Steel
18 ga Stainless Steel

**Our Clip Fits the
Following Panels**

1-7/8" Fits Rollformer, Newtech,
Knudson & Englert
Ultra Seam 175
Zimmerman

250 per box

SMP 550 HD SL



20 ga Steel

Fits Rollformer, Newtech

300 per box

*Tell Mike what your panel
machine manufacturer is.*

**Call Mike
Your Roofing Specialist
770-363-6465**

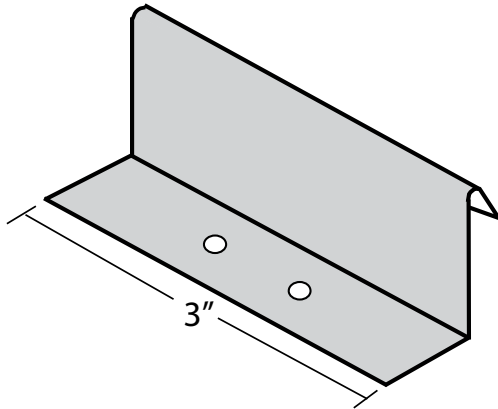
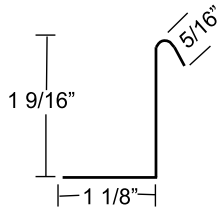
smpclips@yahoo.com

SCHULMEISTER METAL PRODUCTS INC.

Your Personal Roofing Supplier

SNAP LOCK

SMP 1-1/2 HD SL



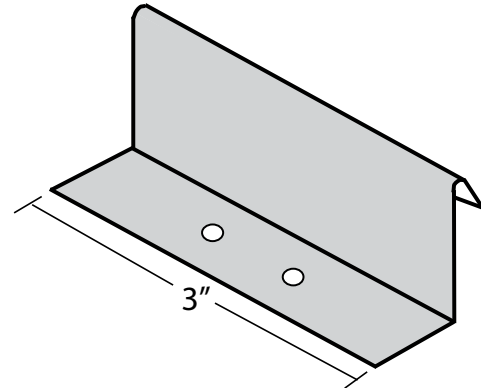
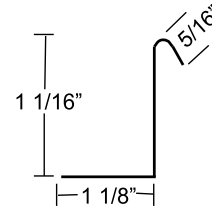
24 ga Steel

24 ga Stainless Steel

Fits Rollformer Newtech

500 per box

SMP 1 HD SL



24 ga Steel

24 ga Stainless Steel

Fits Zimmerman "Nail Leg"
also fits Rollformer

600 per box

Tell Mike what your panel machine manufacturer is.

**Call Mike
Your Roofing Specialist
770-363-6465**

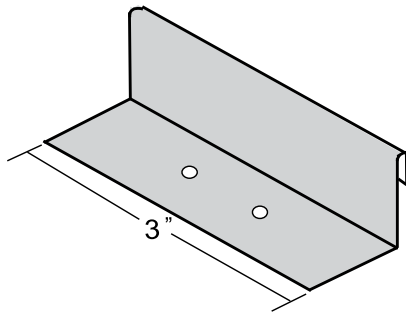
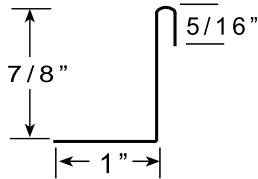
smpclips@yahoo.com

SCHULMEISTER METAL PRODUCTS INC.

Your Personal Roofing Supplier

SNAP LOCK

SMP 1 SL Quadro



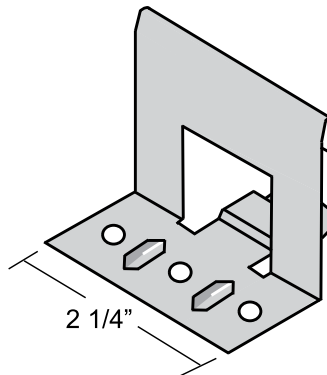
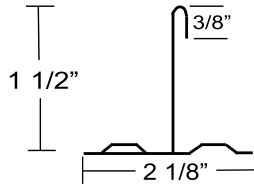
24 ga Steel

24ga Stainless Steel



750 per box

SMP 1-1/2 Q/SL



Steel

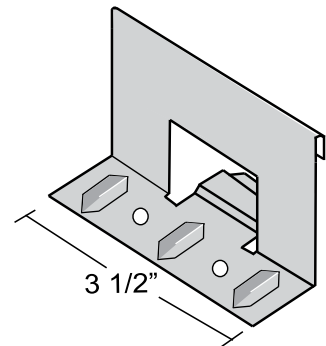
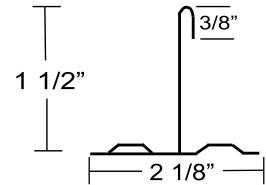
Stainless Steel

Our Clip Fits the following Panels:

Fits Quadro
Englert 1500

500 per box

SMP1-1/2 Q/SL Ultra Length



18 ga Steel

18ga Stainless Steel

Our Clip Fits the following Panels:

Fits Quadro
Englert 1500

250 per box

Tell Mike what your panel machine manufacturer is.

Call Mike
Your Roofing Specialist
770-363-6465

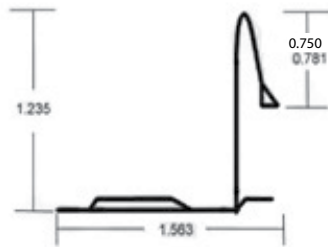
smpclips@yahoo.com

SCHULMEISTER METAL PRODUCTS INC.

Your Personal Roofing Supplier

NEW PRODUCT SNAP LOCK

SMP 1 1/4 SL



24 ga Steel

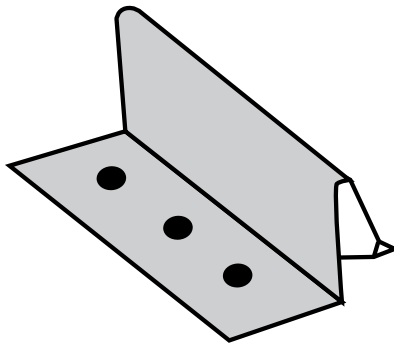
24ga Stainless Steel

Our Clip Fits the following Panels:
**Englert 1000, Newtech 450,
& Knudson**

500 per box

NEW PRODUCT

SMP 1 1/4 SL



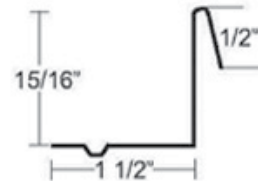
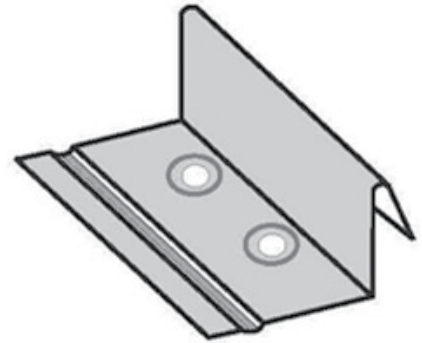
**1.300 Height
3.00 Width**

24 ga Steel

24ga Stainless Steel

600 per box

SMP 1 1/2 SLZ



24 ga Steel

24ga Stainless Steel

Our Clip Fits the following Panels:
**Zimmerman 1\" & 1 1/2\"
snap lock**

600 per box

*Tell Mike what your panel
machine manufacturer is.*

**Call Mike
Your Roofing Specialist
770-363-6465**

smpclips@yahoo.com

SCHULMEISTER METAL PRODUCTS INC.

Your Personal Roofing Supplier

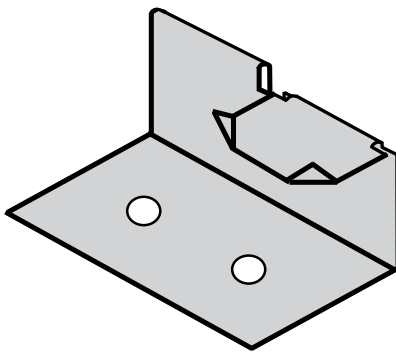
BATTEN CLIPS

The Best Batten Clip you will Ever Use

3/4 EZ Batten Clip

Prefolded for easier installation

Perfect for radius battens



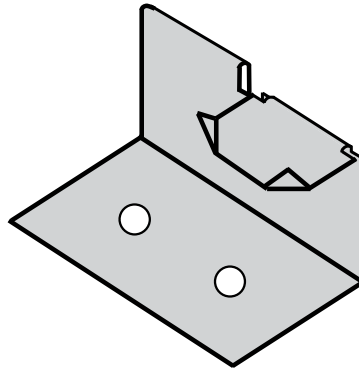
24 ga Steel

24ga Stainless Steel

850 per box

1 EZ Batten Clip

Prefolded for easier installation



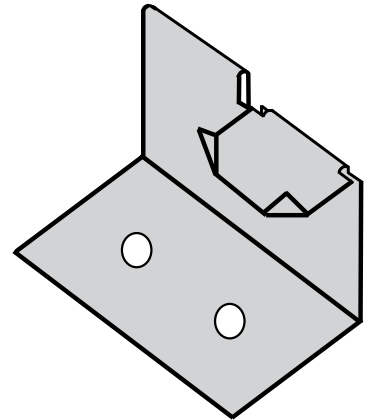
24 ga Steel

24ga Stainless Steel

700 per box

1-1/2 EZ Batten Clip

Prefolded for easier installation



24 ga Steel

24ga Stainless Steel

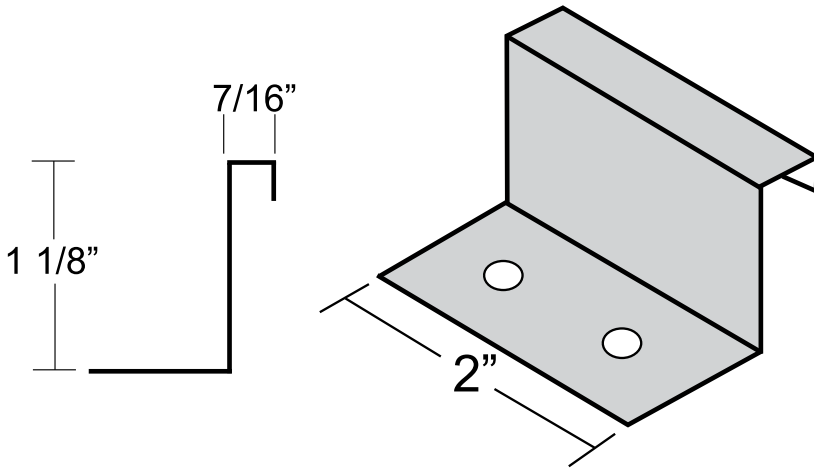
500 per box

Tell Mike what your panel machine manufacturer is.

**Call Mike
Your Roofing Specialist
770-363-6465**

MECHANICAL LOCK

SMP 1 1/8 ML FIXED



26 ga Steel

26 ga Stainless Steel

24 ga Steel

24 ga Stainless Steel

Fits 1" panels

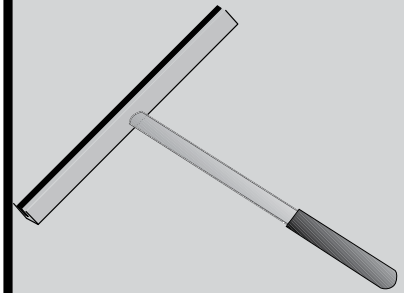
1000 per box

Fits 1" panels

1000 per box

CHECK OUT OUR:

Custom
Panning
Tools



Page 16

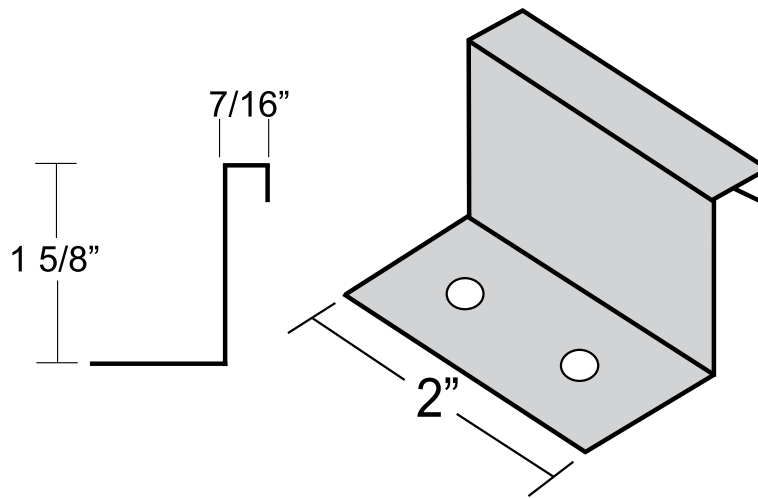
Tell Mike what your panel machine manufacturer is.

**Call Mike
Your Roofing Specialist
770-363-6465**

smpclips@yahoo.com
SCHULMEISTER METAL PRODUCTS INC.
Your Personal Roofing Supplier

MECHANICAL LOCK

SMP 1 5/8 ML Fixed



26 ga Steel

26 ga Stainless Steel

24 ga Steel

24 ga Stainless Steel

**Fits 1 1/2"
panels**

1000 per box

*Tell Mike what your panel
machine manufacturer is.*

**Call Mike
Your Roofing Specialist
770-363-6465**

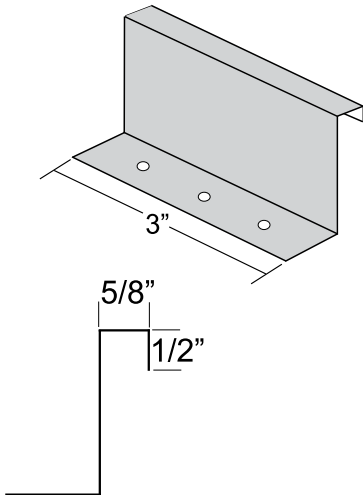
smpclips@yahoo.com

SCHULMEISTER METAL PRODUCTS INC.

Your Personal Roofing Supplier

MECHANICAL LOCK

SMP ML Fixed



Available Heights:
2", 2 1/8", 2 3/8"
& 2 1/2"

24ga Steel
22ga Steel

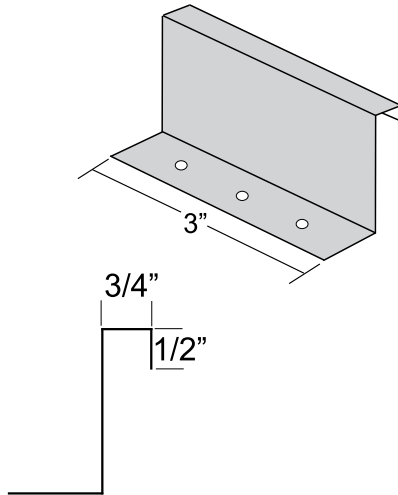
24ga Stainless Steel ---- CALL
22ga Stainless Steel ---- CALL

2 - 2 1/8 300 per box
2 3/8 - 2 1/2 250 per box

Our Clip Fits the following Panels:

Fits Quadro

SMP ML Fixed



Available Heights:
2", 2 1/8", 2 3/8"
& 2 1/2"

24ga Steel
22ga Steel

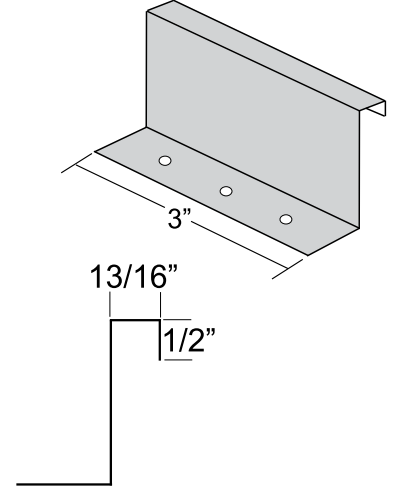
24ga Stainless Steel ---- CALL
22ga Stainless Steel ---- CALL

2 - 2 1/8 300 per box
2 3/8 - 2 1/2 250 per box

Our Clip Fits the following Panels:

Fits Rollformer, NewTech/Ultraseam,
Knudson and Englert

SMP ML Fixed



Available Heights:
2", 2 1/8", 2 3/8"
& 2 1/2"

24ga Steel
22ga Steel

24ga Stainless Steel ---- CALL
22ga Stainless Steel ---- CALL

2 - 2 1/8 300 per box
2 3/8 - 2 1/2 250 per box

Our Clip Fits the following Panels:

Fits Zimmerman

Tell Mike what your panel machine manufacturer is.

Call Mike
Your Roofing Specialist
770-363-6465

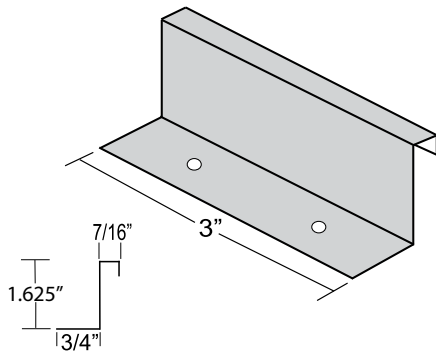
smpclips@yahoo.com

SCHULMEISTER METAL PRODUCTS INC.

Your Personal Roofing Supplier

MECHANICAL LOCK

SMP ML 3" LONG



***Great clip for eave and costal usage**

24 ga Steel

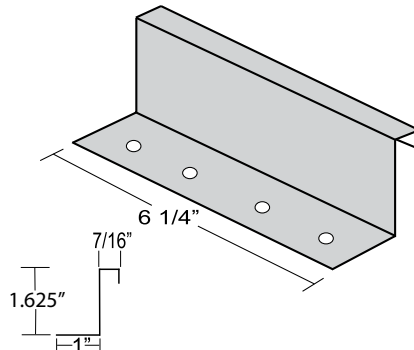
24 ga Stainless Steel

Our Clip Fits the following Panels:

Fits Zimmerman 1500, Knudson KR12, KR241P2401 Schlebach, ESE, Ultra Seam 1505, Rollformer

500 per box

SMP HDML 6 1/4" LONG



***High wind zone usage**

22 ga Steel

22 ga Stainless Steel

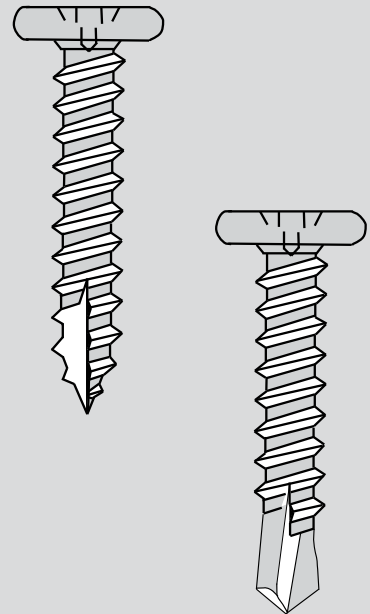
Our Clip Fits the following Panels:

Fits Zimmerman 1500, Knudson KR12, KR24, 1P2401 Schlebach, ESE, Ultra Seam 1505, Rollformer

250 per box

CHECK OUT OUR:

clip screws



Pages 14-15

Tell Mike what your panel machine manufacturer is.

**Call Mike
Your Roofing Specialist
770-363-6465**

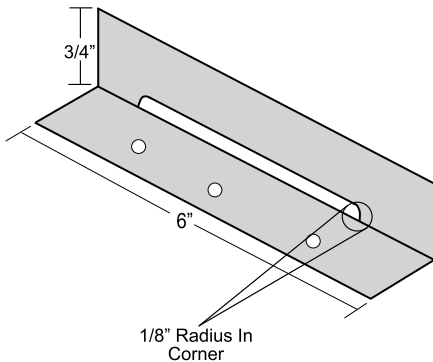
smpclips@yahoo.com

SCHULMEISTER METAL PRODUCTS INC.

Your Personal Roofing Supplier

EXPANSION CLIPS

SMP Slider Clip (Base)



20 ga Steel

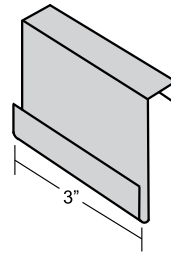
18 ga Steel

20 ga Stainless Steel

18 ga Stainless Steel

Assembly Available
call for pricing

400 per box



1 5/8" Expansion Top

26 ga Steel

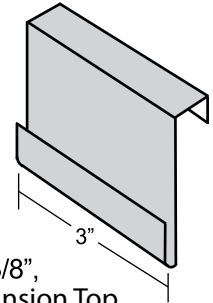
24 ga Steel

26 ga Stainless Steel

24 ga Stainless Steel

Fits all 1 1/2" panels

400 per box



2", 2 1/8", 2 3/8",
& 2 1/2" Expansion Top

24 ga Steel

22 ga Steel

24 ga Stainless Steel

22 ga Stainless Steel

Fits all 2" panels

400 per box



1 1/2" ML Expansion Clip

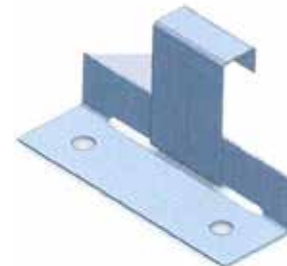


1" Expansion Clip

ALSO, Available in 1-3/8" and 1-7/8" Height
when using Drainage Mat.

*Tell Mike what your panel
machine manufacturer is*

NEW PRODUCT



**ULTRA MINI EXPANSION
for 1" and 1 1/2"
Mechanical Lock Panels
on Exposed Rafters**

smpclips@yahoo.com

SCHULMEISTER METAL PRODUCTS INC.

Your Personal Roofing Supplier

EXPANSION CLIPS



1 1/2" ML CLIP EXPANSION

Maximum Movement
No Bearing Plate Needed
No Float for Easy Trim Work
Articulates for Uneven Substrate



2" ML CLIP EXPANSION

Maximum Movement
No Bearing Plate Needed
No Float for Easy Trim Work
Articulates for Uneven Substrate

*Tell Mike what your panel
machine manufacturer is.*

Call Mike
Your Roofing Specialist
770-363-6465

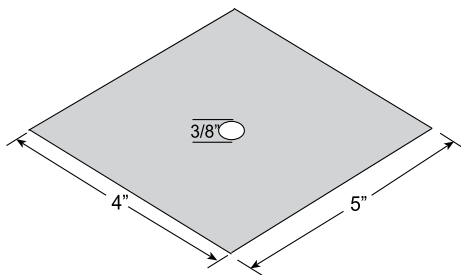
smpclips@yahoo.com

SCHULMEISTER METAL PRODUCTS INC.

Your Personal Roofing Supplier

BEARING PLATES

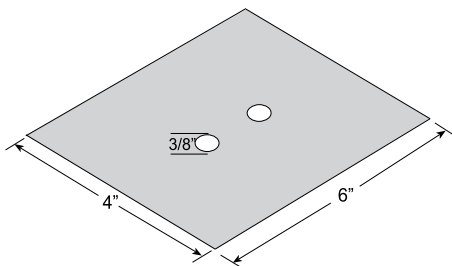
1 Hole Bearing Plate



18 ga 4 x 5

16 ga 4 x 5

2 Hole Bearing Plate



18 ga 4 x 4

18 ga 4 x 5

18 ga 4 x 6

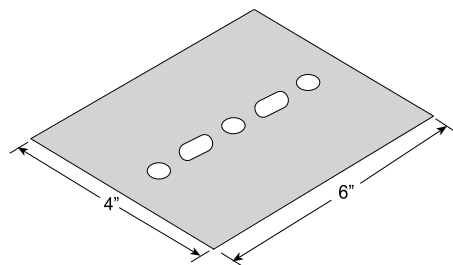
16 ga 4 x 4

16 ga 4 x 5

16 ga 4 x 6

Universal Bearing Plate

Fits most hole patterns



20 ga 4 x 6

18 ga 4 x 6

16 ga 4 x 6



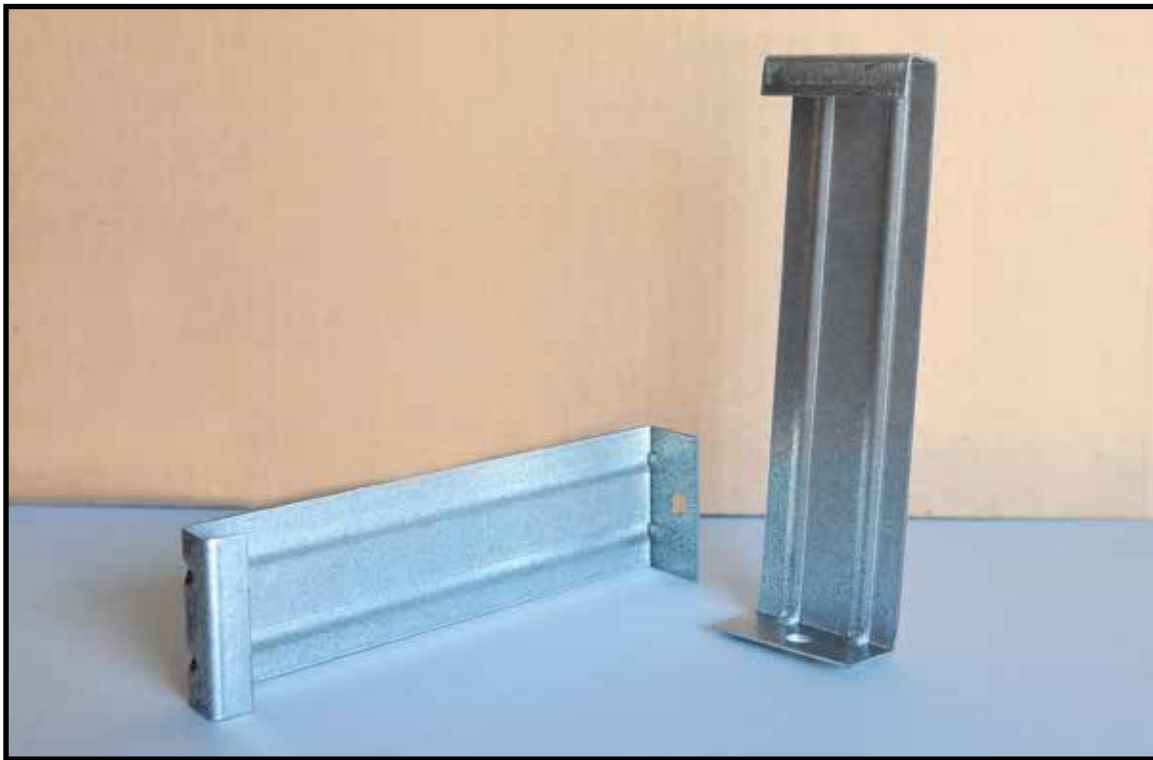
*Please call for more details

*Tell Mike what your panel
machine manufacturer is.*

**Call Mike
Your Roofing Specialist
770-363-6465**

smpclips@yahoo.com
SCHULMEISTER METAL PRODUCTS INC.
Your Personal Roofing Supplier

New Product:
GUTTER HANGERS H.D.



*Wider, Stronger, Heavy Duty, and Less Expensive.
Offered in 18 Gauge*

Available in:

5"
6"
7"
8"

*Tell Mike what your panel
machine manufacturer is.*

**Call Mike
Your Roofing Specialist
770-363-6465**

smpclips@yahoo.com

SCHULMEISTER METAL PRODUCTS INC.

Your Personal Roofing Supplier

GUTTER OUTLET



**4" x 5" Seamless
Aluminum & Galvalume
Seamless
Deep Drawn to 3"
Pre-Punched Flange**

*Tell Mike what your panel
machine manufacturer is.*

**Call Mike
Your Roofing Specialist
770-363-6465**

smpclips@yahoo.com

SCHULMEISTER METAL PRODUCTS INC.

Your Personal Roofing Supplier

STANDARD ROOFING CLIP SCREWS

	3/4" Pancake Head Type 17 Point Combo Drive Sq-Philips. 1,000 HR Coated
	1" Pancake Head Type 17 Point Combo Drive Sq-Philips. 1,000 HR Coated
	1" Wafer Head Type 17 Point Combo Drive Sq-Philips. 1,000 HR Coated
	1 1/2" Pancake Head Type 17 Point Combo Drive Sq-Philips. 1,000 HR Coated
	2" Pancake Head Type 17 Point Combo Drive Sq-Philips. 1,000 HR Coated
	#12 x 3/4" Pancake Head SD3 Point Combo Drive Sq-Philips Zinc Coated
	#12 x 1" Pancake Head SD3 Point Combo Drive Sq-Philips 1,000 HR Coated
	1" Special Driver
	2" Special Driver
	3" Special Driver

Note: All Screws can be used with SQ-2 Driver

*Tell Mike what your panel
machine manufacturer is.*

**Call Mike
Your Roofing Specialist
770-363-6465**

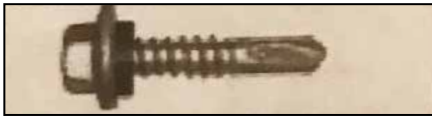
smpclips@yahoo.com
SCHULMEISTER METAL PRODUCTS INC.
Your Personal Roofing Supplier



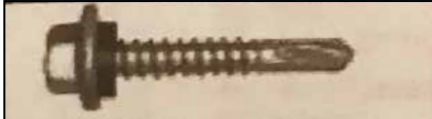
1/4-14 X 7/8 FLANGE "LAP" SCREW
1/4-14 X 7/8 FLANGE "LAP" **PAINTED**



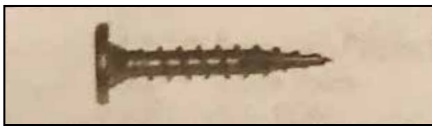
12-14 X 3/4 FLANGE DRILLER
12-14 X 3/4 FLANGE DRILLER **PAINTED**



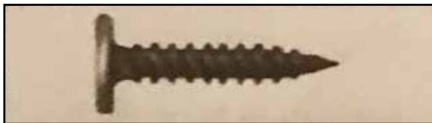
12-14 X 1 FLANGE DRILLER
12-14 X 1 FLANGE DRILLER **PAINTED**



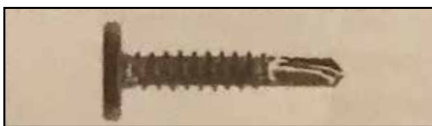
12-14 X 1-1/4 FLANGE DRILLER
12-14 X 1-1/4 FLANGE DRILLER **PAINTED**



10 X 1 XLP² "XTRA LOW PROFILE"
10 X 1 XLP² "XTRA LOW PROFILE" 410 SS
****OTHER SIZES ALSO AVAILABLE****



10 X 1 CLIP GRIP² SHARP POINT
10 X 1 CLIP GRIP² SHARP POINT 304 SS
****OTHER SIZES ALSO AVAILABLE****



10 X 1 CLIP GRIP² DRILL POINT #3
10 X 1 CLIP GRIP² DRILL POINT #3 410 SS
****OTHER SIZES ALSO AVAILABLE****



#14-13 X 1-1/2 THRU 8" ALSO AVAILABLE

****CALL FOR PRICING****

Tell Mike what your panel machine manufacturer is.

**Call Mike
Your Roofing Specialist
770-363-6465**

smpclips@yahoo.com
SCHULMEISTER METAL PRODUCTS INC.
Your Personal Roofing Supplier

SMP Painted Rivets 1/8" x #43
20 Colors

RIVETS - FULL 304 STAINLESS STEEL - MTM

#43 Stainless steel rivets with stainless rivet and mandrel. Stainless rivets are compatible with galvanized, galvalume, aluminum, copper, and stainless steel panels. Available painted to match your panel color. Standard #43 stock colors include: (1) Colonial Red, (2) Regal Red, (3) Burgundy, (4) Matte Black, (5) Hartford Green, (6) Evergreen, (7) Regal White, (8) Slate Blue, (9) Sandstone, (10) Dove Grey, (11) Charcoal Grey, (12) Sierra Tan, (13) Medium Bronze, (14) Dark Bronze, (15) Copper, (16) Champagne Metallic, (17) Mansard Brown, (18) Regal Blue, (19) Slate Grey, (20) Terra Cotta stainless steel rivets in stock in mill finish. #43 grip range is .126" to .187".

Sold by thousand (1000) pcs.

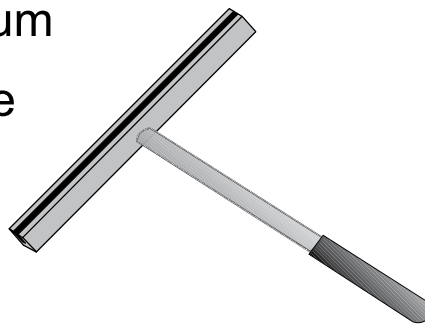


Custom Panning Tools

Made out of light aluminum

Longer Lengths Available

(Patent Pending)



24"

36"

For Valleys

Panning tool custom made
to fit these panel sizes:

20" Panel

18" Panel

16" Panel

12" Panel

*Tell Mike what your panel
machine manufacturer is.*

Call Mike
Your Roofing Specialist
770-363-6465

sm clips@yahoo.com

SCHULMEISTER METAL PRODUCTS INC.

Your Personal Roofing Supplier

ESE K-9 Seamer



- Adjustable height 1" or 1-1/2"
- Double lock or single lock
- Weighs only 40 lbs.
- Double lock seam in only one pass
- Painted or unpainted material
- 30 ft/min

Specifications

Power

Electric Motor 7 Amps

Volts 115 v

Phase..... Single

Maximum Gauge

Steel 24 GA

Aluminum032

Copper 20 oz.

Call For Pricing

Tell Mike what your panel machine manufacturer is.

ESE099 Finish Hand Seamer (Double Lock)



ESE001 Hand Seamer (Single Lock)



Classic (Bronze) Hand Seamer (Single Lock)



**Call Mike
Your Roofing Specialist
770-363-6465**

smpclips@yahoo.com

SCHULMEISTER METAL PRODUCTS INC.

Your Personal Roofing Supplier

- Lap / Panel Screws
- Wood Grip Screws
- #5 Beam Drill Screws
- Low Profile Roof Screws
- Floor Screws
- Rivets
- Structural Bolts
- Anchor Bolts
- Mastic Tape (ITW, GSSI)
- Foam Closures
- Emseal
- Tube Sealant (Titebond)
- Pipe Flashing (Dektite, Masterflash)
- Wedge Anchors
- Epoxy Anchors
- Brace Rods/Turnbuckles
- Cable Bracing and Grips
- Nail Anchors
- Saw Blades (Morse Metal-Devil, Tenryu)
- Drill Bits (Masonry and Double End)
- Fall Protection Kits

*Our screws pass the 1000 hour ASTM salt spray test BEFORE we POWDER COAT them thanks to our exclusive ceramic coating - **UNMATCHED CORROSION PROTECTION!!***



PAINTED
SCREWS AND
RIVETS IN
STOCK

SCHULMEISTER METAL
PRODUCTS
233 BARR AVENUE
BOWDON, GA 30108
770-258-1711
www.smpclips.com

Stronger.
Greener.
Better.
TOUGHER
POWDER
COATED

smpclips@yahoo.com

SCHULMEISTER METAL PRODUCTS INC.

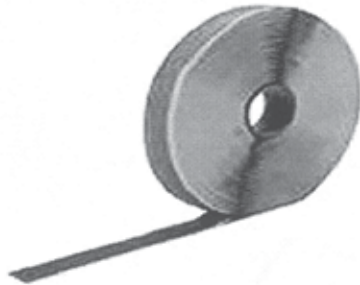
Your Personal Roofing Supplier

PIPE FLASHINGS



PART DESCRIPTION	PIPE SIZE	PART HEIGHT
Mini	1/4"-1-1/8"	1-3/4"
1	1/4"-2"	3"
2	1-3/4"-3-1/4"	4"
3	1/4"-5"	4"
4	3"-6"	5"
5	4"-7"	5"
6	5"-9"	6"
7	6"-11"	6"
8	7"-13"	6"
9	10"-18"	8"
#3 Silicone High-Temp	1/4"-4"	4"
#5 Silicone High-Temp	4"-7"	5"
#8 Silicone High-Temp	7"-13"	6"

SMP Butyl Sealant Tape



Premier elastomeric butyl sealant tape. Ideal for Flashing, Gaskets, Window Glazing, Electrical Insulation and for Industries including Pre-Engineered Metal Buildings, Mobile Homes, Refrigeration And Air Conditioning.

1" x 3/32" 40' Rolls

Other Sizes Available



16 Rolls per box

Tell Mike what your panel machine manufacturer is.

**Call Mike
Your Roofing Specialist
770-363-6465**

smpclips@yahoo.com

SCHULMEISTER METAL PRODUCTS INC.

Your Personal Roofing Supplier

SEALANTS

High Quality
Sealants &
Caulking



Ruscoe

12-1 Seam Sealer

Non-Sag sealing compound are members of a special family of sealants.

Based on an aluminum fortified adhesive formula.

- * Can be applied at low temperatures
- * Skin over to form a protective seal



Ruscoe

Permanent Sealer HV CLEAR

Seals Seams & Cracks

- * Remains Flexible
- * Glass Clear, lets Kynar color show through
- * Eliminates Color match
- * Kynar Approved
- * Non-Yellowing
- * Crystal Clear
- * Will not run down a hot roof
- * Approved for use with Kynar finishes

Tell Mike what your panel machine manufacturer is.

**Call Mike
Your Roofing Specialist
770-363-6465**

smpclips@yahoo.com

SCHULMEISTER METAL PRODUCTS INC.

Your Personal Roofing Supplier

FLAT SHINGLE CLIP



Stainless Steel



Galvanized Metal

BURMUDA SHINGLE CLIP

Open Hem



Close Hem



NEW PRODUCT WAVE PANEL



*Thank you for viewing our catalog.
We hope to do business with you in the near future.*

smpclips@yahoo.com
SCHULMEISTER METAL PRODUCTS INC.
Your Personal Roofing Supplier

POLICIES

Payment

We accept Visa and Mastercard, checks & money orders. There may be a delay for checks upon approval of the bank. Your order will be processed only when the check clears the bank. We will also ship on COD.

Returned Checks & Overdue Accounts

There will be a \$30.00 fee on all returned checks. All accounts over due 30 days will be subject to all cost of collection and 1.5% interest per month until paid including reasonable attorney fees.

Delivery

All deliveries are shipped FOB (freight on buyer). If your company uses a certain freight line we will work with you to ship it the way that would be most economical for you.

Returns & Exchanges

All returns must have prior authorization before the return is accepted. Only full cases of product will be accepted. All returns other than defective merchandise will incur a 25% restocking fee.

Damaged & Defective Merchandise

Merchandise that is received damaged or is defective when received by you should be noted as damaged material on freight bill of lading and one of our representatives should be contacted immediately.

Notice

Buyer assumes all responsibility for the application in which they plan to use our merchandise. Schulmeister Metal Products, Inc. assumes no responsibility for damaged material due to improper usage of our products. A professional engineer or architect should always be consulted as to clip spacing.

smpclips@yahoo.com
SCHULMEISTER METAL PRODUCTS INC.
Your Personal Roofing Supplier

CREDIT APPLICATION

COMPANY APPLYING FOR CREDIT

Firm Name: _____

Street Address : _____

City /State/State: _____

Telephone: _____ Fax: _____

Contact Person: _____ Date of establishment _____

BANK REFERENCE:

Bank Name: _____

Address: _____

City/State/Zip: _____

Telephone: _____ Fax: _____

Account Number(s): _____

Contact Person: _____

TWO CREDIT REFERENCES:

A. Name: _____

Address: _____

City/State/Zip: _____

Telephone: _____ Fax: _____

B. Name: _____

Address: _____

City/State/Zip: _____

Telephone: _____ Fax: _____

Billing Address:

Name _____
Address _____
City _____ State ____ Zip ____
Phone _____

Shipping Address:

Name _____
Address _____
City _____ State ____ Zip ____
Phone _____

SCHULMEISTER
METAL
PRODUCTS

Phone: 770-363-6465

Fax: 770-920-6539

Website: www.smpclips.com

Email: smpclips@yahoo.com

UNIT PRICE	DESCRIPTION	QTY	TOTAL PRICE

Payment Method: CHECK CREDIT CARD
 MONEY ORDER COD

IF YOU ARE PAYING BY CREDIT CARD
please provide the following:

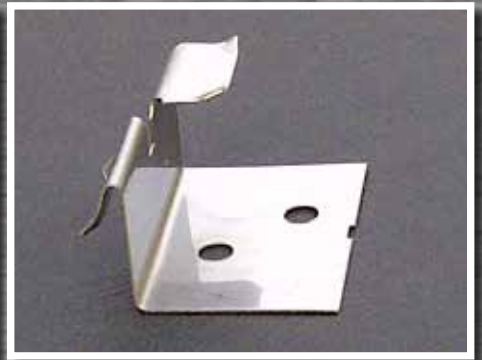
Card Type _____ Exp. Date: _____

Card #: _____

Signature: _____

Sub Total:	
Sales Tax:	
Shipping & Handling:	
Total Price:	

*“We are not your competitor,
we are your supplier”*



Four ways to order:

Phone: 770-363-6465

Fax: 770-920-6539

Website: www.smpclips.com

Email: smpclips@yahoo.com